



## Leaving you the space to be the best

The 2.18 m tall megaSun space 2000 is the leader in optimal space usage!

The space tower incorporates a unique internal air cooling system as standard, which eliminates the need for any high powered roof fans within the booth.

This means that your customers can enjoy a much quieter and more relaxed tan, whilst enjoying the feeling of open space.

## megaSun® space 2000

**Model** CE

### megaSun space 2000

<b>Tubes</b>	50 x 1,90 m LONGLIFE-tubes
<b>Power output</b>	10.150 Watt
<b>Fuse</b>	Available in single phase and three phase

### Standard

**+ Central exhaust air system**

### Optional Features



- Exhaust air duct with exhaust air hose
- Loudspeakers
- megaTimer
- Changing room

## Sound Package

**+ Audio-Access** (incl. flex) **+ external access, chanel option, loudspeakers**

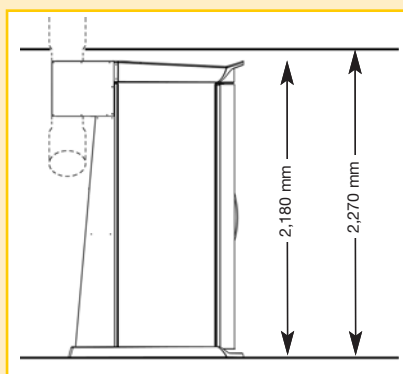
## Wellness Package

**+ incl. cabin breeze**

# Facts

## Dimensions

# megaSun® space 2000

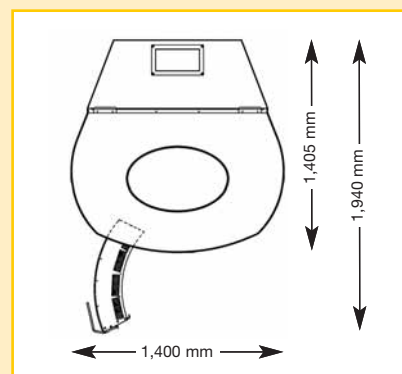


### closed

1,400 mm x 1,405 mm x 2,180 mm  
(length x width x height)

### external aquaCool- and aroma-unit

509 mm x 505 mm x 418 mm  
(length x width x height)



### opened

1,400 mm x 1,940 mm x 2,180 mm  
(length x width x height)

**weight** 390 kg

## Features

# megaSun® space 2000



**ACS** Harmonic, stepless control and exhaust during the tanning session. Gentle shut down at the end of the session till the switching off. Perfect transitions for a relaxing tanning.



**aquaCool** With aquaCool a fine water mist is released through two special nozzles which work absolutely drip-free and are arranged ergonomically in the interior of the device – refreshing and revitalising at the same time.



**aroma** Through two special jets in the upper part of the apparatus, which function absolutely drip-free, aquaCool produces a fine mist – refreshing and revitalizing at the same time.



**megaVoice** With megaVoice, you can relax from the moment you are welcomed. In a simple and quick way, a pleasant voice guides the client easily and fast through the operating functions of the Tower: well-being guaranteed – until it is time to say goodbye.



**mp3-sound-box** Listen & relax is the order of the day here. The mp3 player can be loaded with any music desired.



**musicVibration** musicVibration is the megaSun sound-system, that makes you feel the vibration of the music. The system generates sound waves from vibration and thus spreads the sound more homogenous in the tanning tunnel. Feel the elaboration of the sound experience: Feel the music!



**Four Seasons** Four Seasons makes it possible to experience all the colours of the rainbow... The changes in colour stimulate the well-being of your customers and make tanning a unique experience. Spring, summer, autumn and winter - experience the sensibility of colour!



## Design at its best

Design and engineering - a perfect symbiosis of gleaming plastic elements and high-grade aluminium. The intelligent space distribution makes the pureEnergy ideal for use in fitness studios, sun studios and hotels, with or without a cabin.

With its exhaust fan system fitted onto the side, the megaSun tower pureEnergy allows for trouble-free ventilation even for low ceilings.

The x-tra Tan shoulder tanner, integrated into the ceiling of the tower, enables seamless tanning results. Feel great - accept no compromises!

## megaSun<sup>®</sup> Tower pureEnergy

Models  

	Tower T200	Tower T230*
<b>Tubes</b>	52 x 200 watt	52 x 230 watt
<b>shoulder tanner</b>	2 x 250 watt	2 x 250 watt
<b>Power output</b>	9.800 watt	12.100 watt
<b>Fuse</b>	Available in single phase and three phase	Available in single phase and three phase
		*(not available in EU)

### Standard



### Optional Features



Only for T200 available.

**easyCare**  
controlled by cpi

(Only in combination with cpi energy & Sond Package)

- Exhaust air system
- Exhaust air hose\*
- Loudspeakers
- megaTimer
- Changing room

\* (Ø 300mm, white, length 3m, 2 hose clamps)

## Sound Package



+ Audio-Access  
(incl. flex)



+



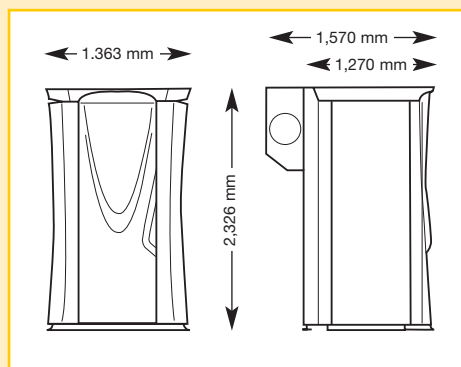
+

+ external access,  
channel option, loudspeakers

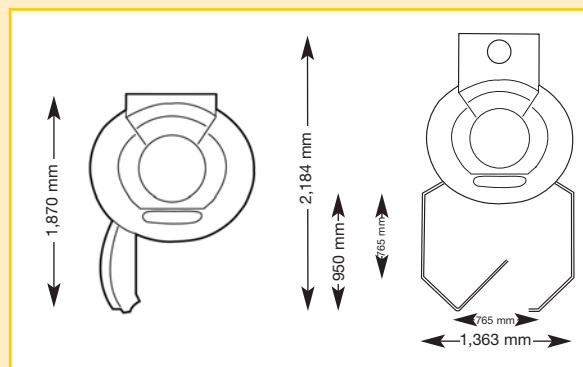
# Facts

## Dimensions

# megaSun<sup>®</sup> Tower pureEnergy



**closed**  
1,363 mm x 1,270 mm x 2,326 mm  
(length x width x height)



**opened**  
1,363 mm x 1,870 mm x 2,326 mm  
(length x width x height)

**weight** 450 kg

## Features

# megaSun<sup>®</sup> Tower pureEnergy



**ACS** Harmonic, stepless control and exhaust during the tanning session. Gentle shut down at the end of the session till the switching off. Perfect transitions for a relaxing tanning.



**aquaCool** With aquaCool a fine water mist is released through two special nozzles which work absolutely drip-free and are arranged ergonomically in the interior of the device – refreshing and revitalising at the same time.



**cpi energy** It sounds like a dream. Unbeatable UV-tube output: 1.100 % higher efficiency factor, 140 % longer durability, constant 100 % performance. The perfect balance between UV-tanning power and UV-tube useful life.



**bodyCool** The innovative all-around body ventilation by megaSun with its four different air supplies gives the incomparable kick of freshness in the megaSun Tower pure Energy.



**megaVoice** With megaVoice, you can relax from the moment you are welcomed. In a simple and quick way, a pleasant voice guides the client easily and fast through the operating functions of the Tower: well-being guaranteed – until it is time to say goodbye.



**mp3-sound-box** Listen & relax is the order of the day here. The mp3 player can be loaded with any music desired.



**musicVibration** musicVibration is the megaSun sound-system, that makes you feel the vibration of the music. The system generates sound waves from vibration and thus spreads the sound more homogenous in the tanning tunnel. Feel the elaboration of the sound experience: Feel the music!



**x-traTan** Reflector tubes have been used in the past. Today modern high pressure lamps provide extra power. And permanent tan in the shoulder area – extra smooth, extra intensive.